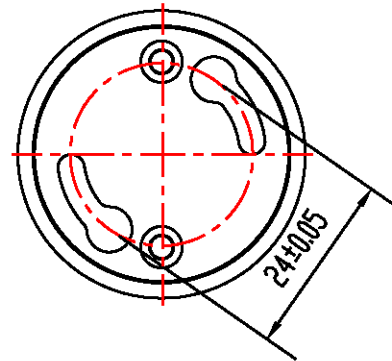
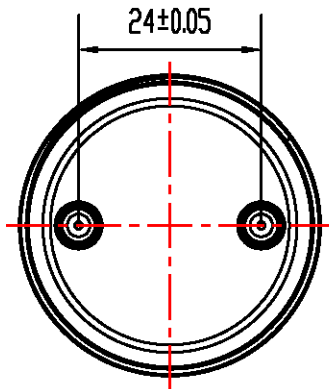
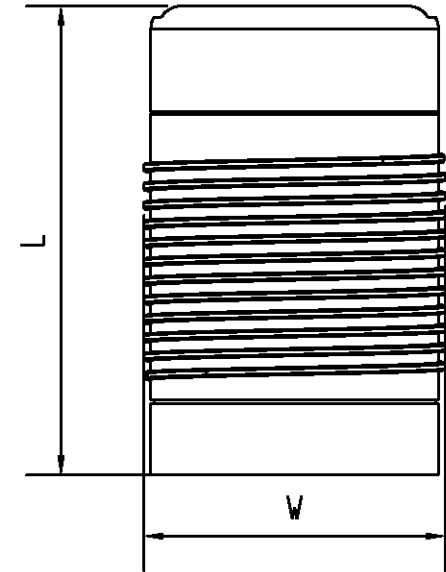
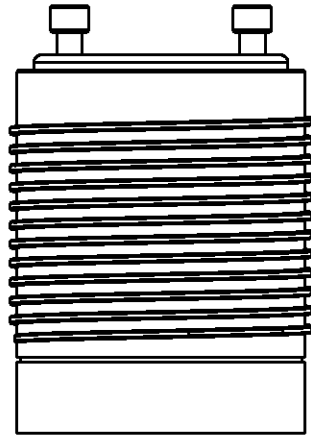


The ballast design was NOT part of the competition. The recommended design is for the line voltage socket ONLY.



For Reference Only	L	W
SU13/13W	62.5 ± 0.5	38 ± 0.3
SU18/18W	62.5 ± 0.5	38 ± 0.3
SU26/26W	75 ± 0.5	50 ± 0.3
COMPANY NAME:		
COMPANY BRAND:		
WEBSITE:		